

# NIGHT CHASER

# 36X WDR



## Long Distance Infrared PTZ

432X ZOOM & 530 Lines of Resolution

**A Wide Dynamic Range Camera in a PTZ?  
Unheard of - Until NOW!**



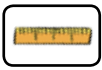
The Integrated Infrared Spotlight points where the camera is looking and throws an invisible IR beam up to 300 feet or more on a moonless night.



Temperature rated for 35°F below zero, and up to 135°F, the Night Chaser-36X WDR is right at home in almost any environment, and is sealed against weather conditions and moisture to IP66.



The Night Chaser-36X WDR is perfect for security vehicles, border operations, unlighted lots and yards, and also excels when mounted on mobile trailers or vehicles.



This camera's small size is surprising for the performance it delivers - only 14 1/2" wide x 9 3/8" tall.

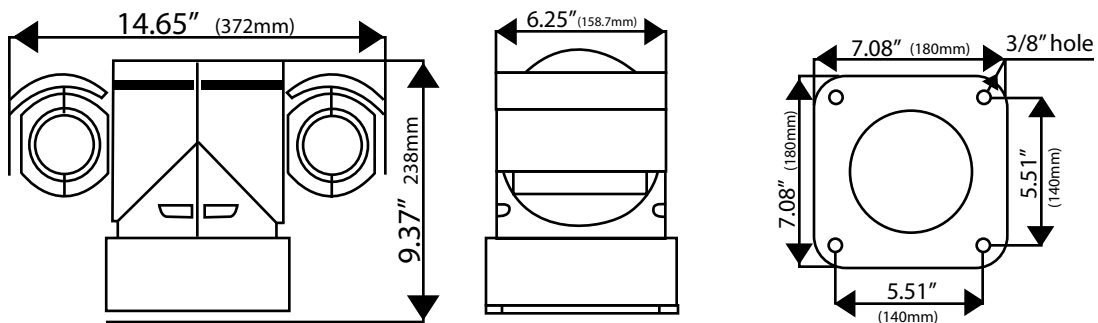


At the heart of this Rugged PTZ is a Sony Ex-View Super HAD CCD that delivers 530 Lines of Resolution with automatic controls that turn the Infrared Array on at 4-5 Lux, and the camera switches over to black & white mode at 2-3 Lux.



The Night Chaser -36X WDR is available in either 12V DC or 24V AC models, depending on how you intend to use it - vehicle/mobile or fixed locations. Please specify voltage when ordering.

## Night Chaser



Weight: 13.21 lbs (6Kg)

Full Specifications continued on next page

# Specifications for Night Chaser 36X WDR

RX-NightChaser-36X WDR	
Image Sensor	1/4" -type EXview HAD CCD - WDR
Picture Elements (H x V in mm)	FCB-EX1010: Approx. 360K pixels FCB-EX1010PL: Approx. 440K pixels
Resolution	530 Lines
Minimum Illumination	1.4 lux/1/60 sec (NTSC), 1/50 sec (PAL) (Typical Value) 0.1 lux/1/4 sec (NTSC), 1/3 sec (PAL) (Typical Value) ICR-ON Mode - 0.01 lux/1/4 sec (NTSC) 1/3 sec (PAL)
Recommended Illumination	100 to 100,000 lux
S/N Ratio	50dB (weight on)
Electronic Shutter Speed	FCB-EX1010: 1/4 to 1/10000 sec. (20 steps) FCB-EX1010P: 1/3 to 1/10000 sec. (20 steps)
Zoom	36X Optical 12X Digital = 432X Total Zoom
Focus	Auto/Manual
Minimum Working Distance	320mm (Wide End), 1500mm (Tele End)
Iris / Zoom	Auto/Manual
White Balance	Auto, ATW, Indoor, Outdoor, One-push WB, Manual WB
Gain	Auto/Manual (-3 to 28dB, 16 steps)
Wide Dynamic	ON/OFF
Aperature Control	16 Steps
Preset	6-Positions
Serial Interface	VISCA protocol (TTL/CMOS) 9.6 kbps, 19.2 Kbps, 38.4 Kbps, Stop Bit, 1/2 bit
Video Output	VBS: 1.0 Vp-p (sync negative), Y/C Output
Backlight Compensation	On/Off
Privacy Zone Masking	On/Off (24 positions)
Flicker Cancel	AUTO
Synchronization	Internal/External (V-Lock)
Scanning Frequency	15625Khz (H) x 60Hz (V)
Lux	0 Lux (with LEDs on)
Pan Preset Speed	100°/s
Tilt Preset Speed	60°/s
Tilt Speed	0~50°/s
Pan Speed	0~70°/s
Tilt Rotation	90° (180° Auto Overturn)
Control	Multiprotocol, RS485 Baudrate from 2400~19200 Bps
Preset	128
Patrol Function	6 Patrol Patterns
IR Project Distance	100 m / 300 feet
Relative Humidity	10-90%
Power	AC 24V / 12V DC (choose upon ordering)
Camera + PTZ Consumption	18W (no IR and PTZ movement)
Camera Module Consumption	5W
PTZ on Movement Consumption	24~30W
Heater Consumption	4W
Wiper Consumption	3W
Shock	>4G
Weight	6KG
Operation Temperature	-35°F to 135°F
Waterproof Class	IP66



5327 Cedar Creek Drive • Kemp, Texas 75143  
Toll Free: 866-301-CCTV • Phone: 903-498-3240 • Fax: 903-498-8989  
[www.rugged-cctv.com](http://www.rugged-cctv.com)